



INFLOW

BALL VALVES

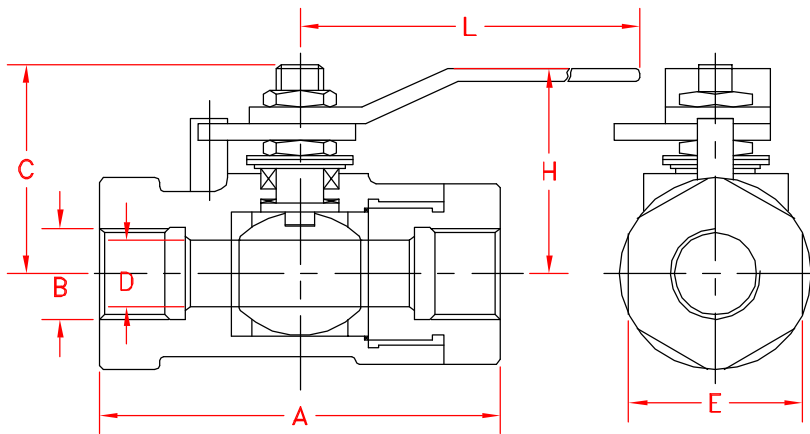
PRODUCT DESCRIPTION :

SERIES : FJ11

STANDARDS FOLLOWED

Manufacturing :

BS-EN ISO 17292/API 6D Testing : BS-6755/API 6D



Part No	Part Name	Material Code							SPECIFICATION OF MATERIAL							
		A	B	C	D	I	J	O								
12	Body	A	B	C	D	I	J	O	A=CS(BS)ASTM A216 Gr WCB	O=ASTM A 352 Gr LCB						
24	Pipe End	A	B	C	D	I	J	O	B=ASTM A 351 Gr CF8	P=ASTM A 217 Gr CA15						
33	Ball	E	B	C	D	I	J	F	C=ASTM A 351 Gr CF8M	E=AISI - 304						
36	Stem	J	E	F	D	I			D=ASTM A 351 Gr CN7M	F=ASISI - 316						
39	Gland	J	E	F	D	I			I=ASTM A 494 N 12MV	GFT= GLASS FILLED TEFLON						
31	Seat	PTFE	GFT	POM					J=ASTM A 494 CW 12MW							
38	Stem Seal	PTFE	GRAFOIL	GFT					Dimension Details							
40	Spring Disc	SPRING STEEL							Size							
37	Disc Bearing	GFT							A	B	C	∅D	L	H	Class	
69	Gland Nut	STEEL							10RP	54	3/8"BSP	32	11.6	92	46	800
43	Stopper Plate	STEEL							15RP	64	1/2"BSP	36.45	11.6	92	49	
44	Lever	STEEL							20RP	74	3/4"BSP	45.45	20	116	57	
74	Stopper Pin	STEEL							25RP	87	1"BSP	52.75	25	143	66	
35	Body Seal	PTFE	SWG						32RP	101	1/4"BSP	65	32	143	71	
70	Lever Nut	STEEL							40RP	110	1/2"BSP	85	38	177	81	
									50RP	132	2"BSP	89	50	177	81	

TESTING DETAILS

HYDROSTATIC		PNEUMATIC SEAT
SHELL	SEAT	
100Kg/cm ²	70Kg/cm ²	7Kg/cm ²

ALL DIMENSIONS ARE IN mm

1. DUE TO CONTINUOUS DEVELOPMENT PROGRAM DIMENSIONS ARE SUBJECTED TO CHANGES WITHOUT ANY FURTHER NOTICE
2. OTHER MATERIALS UPON REQUEST.

CUSTOMER :

CERTIFICATION SEAL

ENQUIRY/ORDER NO:

JOB PROJECTS :

OUR REF NO :

Note

1. FOR SIZE ABOVE 65mm FB 80mm RP BALL IS HOLLOW TYPE.
2. FACE TO FACE DIMENSION FOR FLOATING DESIGN WILL BE SHORT PATTERN AND FOR TRUNNION MOUNTED DESIGN WILL BE LONG PATTERN.

MANUFACTURERS : **FLOW CONTROL ENGINEERS**

D-66, GOVT. INDUSTRIAL ESTATE
BELGAUM - 590 008.