



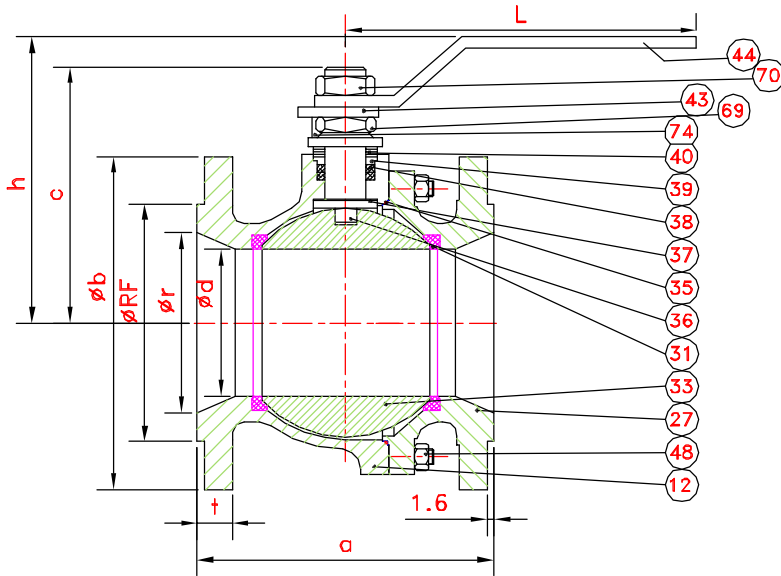
INFLOW

BALL VALVES

PRODUCT DESCRIPTION : Two Piece Reduced Port #150 Ball Valve SERIES : FJ1R

MANUFACTURING STANDARD: BS EN ISO 17292/ASME B16.34 API 6D

Testing : BS-6755/API 6D



Part No	Part Name	Material Code								SPECIFICATION OF MATERIAL	
		A	B	C	D	I	J	O			
12	Body	A	B	C	D	I	J	O	A=CS(BS)ASTM A216 Gr WCB	O=ASTM A 352 Gr LCB	
27	Tail Piece	A	B	C	D	I	J	O	B=ASTM A 351 Gr CF8	P=ASTM A 217 Gr CA15	
33	Ball	E	B	C	D	I	J	F	C=ASTM A 351 Gr CF8M	E=AISI - 304	
36	Stem	J	E	F	D	I			D=ASTM A 351 Gr CN7M	F=ASISI - 316	
39	Gland	J	E	F	D	I			I=ASTM A 494 N 12MV	GFT= GLASS FILLED TEFLON	
31	Seat	PTFE								J=ASTM A 494 CW 12MW	
38	Stem Seal	PTFE								Dimension Details	
40	Spring Disc	SPRING STEEL								Size	
37	Disc Bearing	GFT								a	ϕd
69	Gland Nut	M.S								ϕr	ϕb
43	Stopper Plate	M.S								ϕRF	t
44	Lever	M.S								c	h
74	Stopper Pin	M.S								L	
35	Body Seal	PTFE									
70	Lever Nut	STEEL									
48	Body Nut	HT									

ALL DIMENSIONS ARE IN mm
 1. DUE TO CONTINUOUS DEVELOPMENT PROGRAM DIMENSIONS ARE SUBJECTUED TO CHANGES WITHOUT ANY FURTHER NOTICE
 2. OTHER MATERIALS UPON REQUEST.

TESTING DETAILS	HYDROSTATIC		PNEUMATIC SEAT
	SHELL	SEAT	
	30 Kg/cm ²	22 Kg/cm ²	6 Kg/cm ²

CUSTOMER :	CERTIFICATION SEAL
ENQUIRY/ORDER NO:	
JOB PROJECTS :	
OUR REF NO :	

Note : 1. FOR SIZE ABOVE 65mm FB 80mm RP BALL IS HOLLOW TYPE.
 2. FACE TO FACE DIMENSION FOR FLOATING DESIGN WILL BE SHORT PATTERN AND FOR TRUNNION MOUNTED DESIGN WILL BE LONG PATTERN.



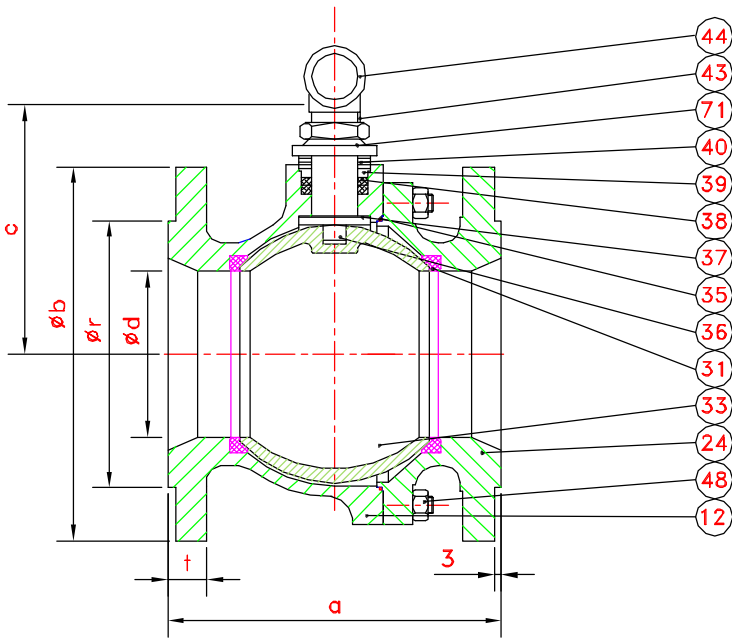
INFLOW

BALL VALVES

PRODUCT DESCRIPTION : Two Piece Reduced Port #150 Ball Valve SERIES : FJ1R

MANUFACTURING STANDARDS: BS EN ISO 17292/ASME B16.34 API 6D

Testing : BS-6755/API 6D



Part No	Part Name	Material Code	SPECIFICATION OF MATERIAL	
12	Body	A B C D I J O	A=CS(BS)ASTM A216 Gr WCB	O=ASTM A 352 Gr LCB
24	Tail Piece	A B C D I J O	B=ASTM A 351 Gr CF8	P=ASTM A 217 Gr CA15
33	Ball	E B C D I J F	C=ASTM A 351 Gr CF8M	E=AISI - 304
36	Stem	J E F D I	D=ASTM A 351 Gr CN7M	F=ASISI - 316
39	Gland	J E F D I	I=ASTM A 494 N 12MV	GFT= GLASS FILLED TEFLON
31	Seat	PTFE	J=ASTM A 494 CW 12MW	
38	Stem Seal	PTFE		
40	Spring Disc	SPRING STEEL	Size	Dimension Details
37	Disc Bearing	GFT	a	ϕb
71	Gland Flange	M.S	c	ϕd
43	Stopper Plate	M.S	ϕr	t
44	Lever	M.S		
35	Body Seal	PTFE		
48	Body Stud	HT		
48	Body Nut	HT		

Size	Dimension Details						Class
	a	ϕb	c	ϕd	ϕr	t	
65RP	190	178	127	51	104.8	19.5	150
80RP	203	191	142	65	127	24.0	
100RP	229	229	162	76	157.2	24.0	
150RP	267	279	185	102	215.9	25.5	
200RP	297	343	380	152	270	29	

ALL DIMENSIONS ARE IN mm

1. DUE TO CONTINUOUS DEVELOPMENT PROGRAM DIMENSIONS ARE SUBJECTED TO CHANGES WITHOUT ANY FURTHER NOTICE

2. OTHER MATERIALS UPON REQUEST.

TESTING DETAILS	HYDROSTATIC		PNEUMATIC SEAT
	SHELL	SEAT	
	30 Kg/cm ²	22 Kg/cm ²	7 Kg/cm ²

CUSTOMER :	CERTIFICATION SEAL
ENQUIRY/ORDER NO:	
JOB PROJECTS :	
OUR REF NO :	

Note :

- FOR SIZE ABOVE 65mm BALL IS HOLLOW TYPE.
- FACE TO FACE DIMENSION FOR FLOATING DESIGN WILL BE SHORT PATTERN AND FOR TRUNNION MOUNTED DESIGN WILL BE LONG PATTERN.